

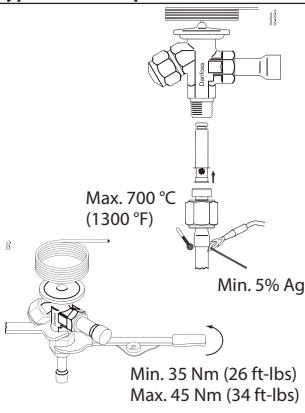
Installation Guide

Accessory for T2 / TE 2

Type Solder adaptor

068R9519

068R9519



© Danfoss A/S (AC-MCI/sw) 2013-10